



MRT 002

Features

- 3 basic models for Heating or Cooling
 - MRT 002 simple model without switch
 - MRT 007 with On-Off Rocker Switch and LED Indicator
 - MRT 008 with Summer-Off-Winter Rocker Switch
- Setpoint knob +10 to +30°C
- High quality bi-metal sensor for close temperature differential

Attractive contemporary styling

Concealed cover mounting screw to discourage tampering

Simple on-site set point re-calibration

All slide switches for ease of operation

Easy to wire to numbered terminals

Optional set point limit stops available to conserve energy

Technical data

Nominal Operating Differential	Approximately 1K
Range	+10 to +30°C
Sensing Element	Bi-metal
Body Material	Self-extinguishing, Molded ABS
Finish	Bone White Color
Electrical Ratings	
- Thermostat	6 A Resistive, 1 A Inductive, 250 V 50/60 Hz
- Switches	6 A Resistive, 2 A Inductive, 250 V 50/60 Hz
- LED Indicator	1.5 mA, 230 V 50/60 Hz
Ambient/Storage	Temperature Limits 0 to +50 °C / -30 to +60 °C
Wire Connections	Screw-down Connectors, Wire Size 1 mm ² or 18 AWG Solid Copper Recommended
Agency Approval	CE Mark Compliant to Low Voltage Directive
Shipping Weight	0.15 kg
Dimensions	86 x 86 x 31 mm

Application / Description

The MRT 00 series room thermostats are designed to control heating, cooling, or year-round air conditioning unit in all commercial industrial and residential buildings.

Thermostats are available in three basic models.

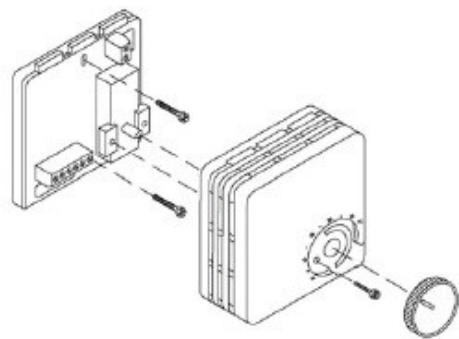
The MRT 002 thermostat will operate a controlled device to provide comfort control at the desired room temperature.

The MRT 007 thermostat, in addition to room comfort control, will also provide On-Off system control and one LED indicator.

The MRT 008 thermostat, in addition to room comfort control, will also provide Summer-Off-Winter changeover control.

Ordering

Type no.	Description
Electro Mechanical Room Thermostat for Heating or Cooling	
MRT 002	Without Switch
MRT 007	With On-Off Rocker Switch and LED Indicator
MRT 008	With Summer-Off-Winter Rocker Switch
Accessories	
PIN 00	Set Point Limit Stop Pin Kit (with 2 pins)



Field calibration procedure

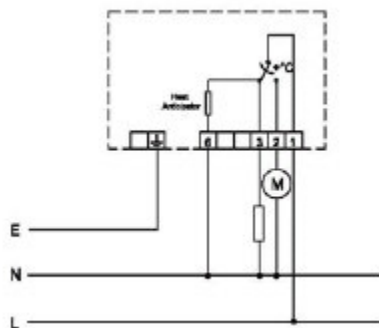
To obtain a precise thermostat set point, measure the room temperature with a thermometer when the air-conditioning unit is running. Then hold the edge of the set point knob and turn the dial with a coin with its index pointing to the temperature scale corresponding to the measured temperature.

Mounting

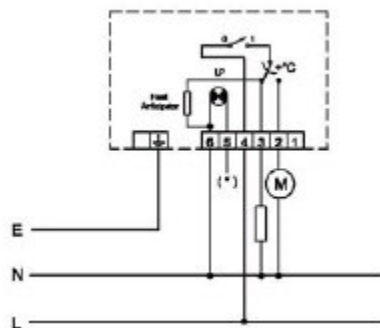
The MRT 00 series thermostats can be surface mounted or secured to a standard European 75x75x35 mm electrical box. Mounting screws are included.

Wiring

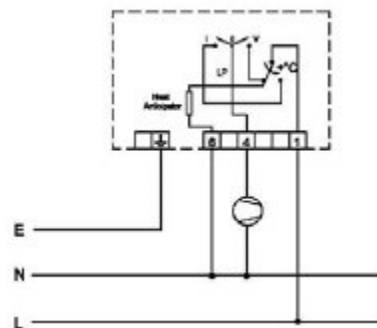
MRT 002



MRT 007

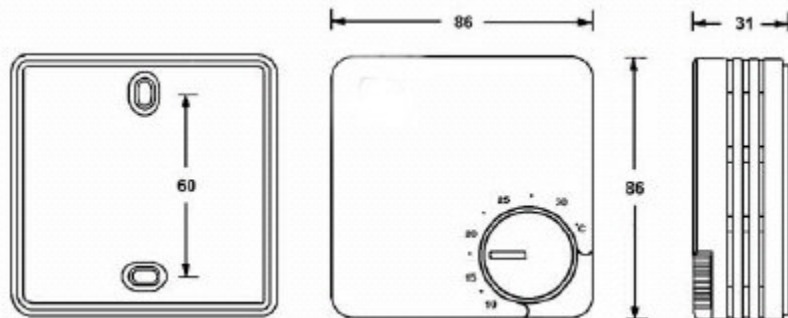


MRT 008



(*) Connect Terminal 5 to Terminal 2 for cooling.
Connect Terminal 5 to Terminal 3 for heating.

Dimensions



We reserve the right to make changes in our products without any notice which may effect the accuracy of the information contained in this leaflet.