



MDH

Features

- Fan speed switch
- 3 speed (HIGH-MED-LOW)
- HEAT-COOL system control
- ON/OFF switch
- pushing "OFF" shuts off power program
- Setpoint knob +10 to +30°C
- Gas capsule sensing element
- Electric rating 220 Vac
- 2-pipe and 4-pipe system versions

Description

MDH electro mechanical room thermostat is used both in commercial, industrial and in civil buildings for heating, cooling or air-conditioning control.

When the bottom switch is at the position ON, the thermostat is running. Left switch is for a shift of Cooling/Heating. In winter, it should be at Heat position and in summer at Cool position. Right switch is a switch for speed selection.

MDH can mounted into a built-in standard junction box with a dimension of 75×75×35 mm or 55×105×48 mm.

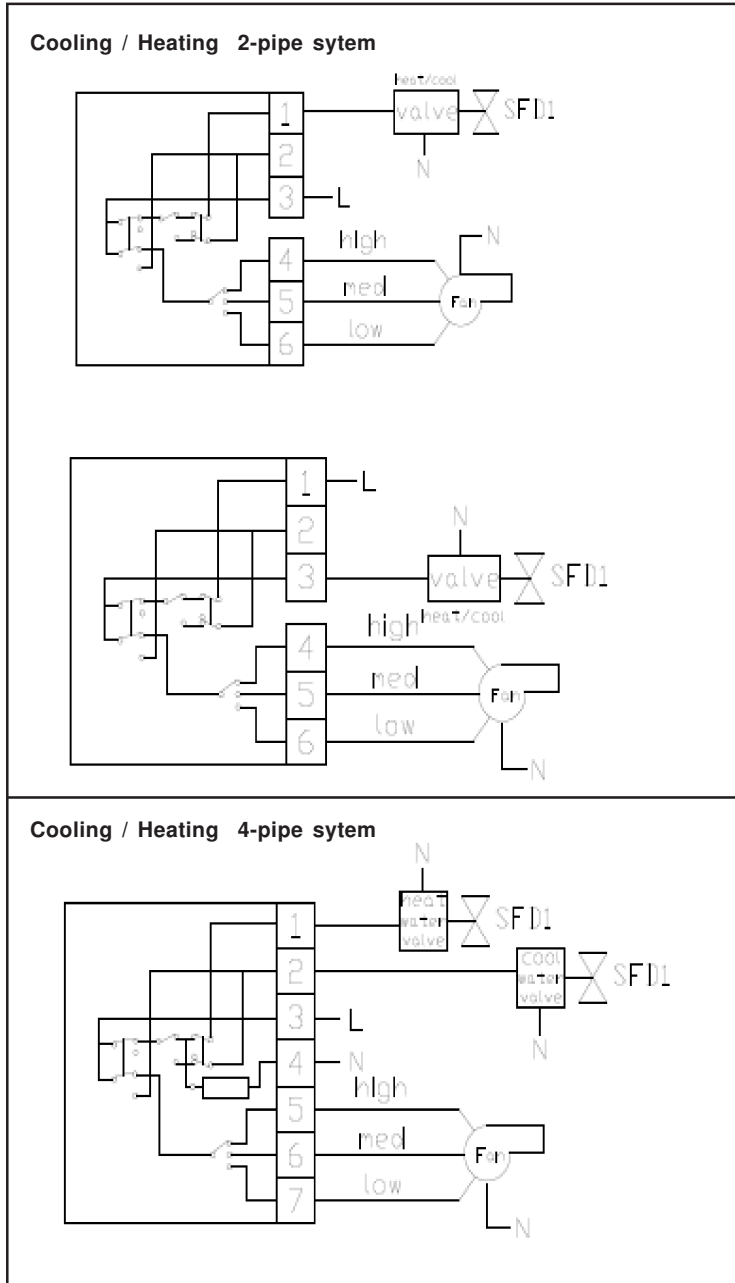
Technical data

Mode switch	Heat-Cool
Speed switch	Fan 1-2-3
Setting mode	Knob
Measuring precision	<1°C at 20°C
Range	+10 to +30°C
Sensing element	Gas capsule
Material	Base & cover - ABS engineering plastics
Electric rating	220 Vac, 3A, 50Hz/60Hz
Approval	EN60730, 89/336/EEC, 73/23/EEC and 93/68/EEC
Shipping weight	0.2 kg
Dimensions	131 x 85 x 41 mm

Ordering

Type no.	Description
MDH 512	Electro mechanical room thermostat for 2-pipe system
MDH 514	Electro mechanical room thermostat for 4-pipe system

Wiring



We reserve the right to make changes in our products without any notice which may effect the accuracy of the information contained in this leaflet.