



930

Technical data

Output	on/off
Max. operating pressure	10 kPa
Medium	Air, non-combustible and non-aggressive gases.
Temp. range	Medium and ambient temp. from -20°C to +85°C. Storage temperature from -40°C to +85°C.
Diaphragm material	Silicone, tempered at +200°C, free of gas emissions. Other materials available on request.
Pressure connections	2 plastic pipe connection pieces (P1 and P2), external diameter 6.0 mm: P1 for connection to higher pressure (marked +) P2 for connection to lower pressure (marked -)
Housing materials	Switch body made of PA 6.6. Cover made of PS.
Weight	150 g
Mechanical working life	Over 10.000.000 switching operations
Electrical rating	max. 1.0 A (0.4 A) / 250 Vac
Electrical con.	AMP flat plug 6.3 mm x 0.8 mm in accordance with DIN 46244 or push-on screw terminals. Cable conduit PG-11 or M20x1.5 with cable strain
Protection	IP 54
Approvals	CE marking according to EC Low Voltage Directive 73/23/EEC.

Features

- On/off output
- Electrical rating 250 Vac
- 6 different pressure ranges
- Switching pressure to be adjusted easy on a scaled adjustment knob
- Static, over, underpressure and vacuum
- IP54 protection

Can be delivered in 3 different alternatives

1. Only the pressure switch
2. The pressure switch separately packed and the duct fixing kit separately packed.
3. The pressure switch and the duct fixing kit packed together in one small carton.

Ordering

Type no.	Adjustment range	Switching differential
Air differential pressure switch		
930.80 222111	20–200 Pa	10 Pa
930.84 222111	30– 400 Pa	15 Pa
930.83 222111	50– 500 Pa	20 Pa
930.85 222111	200–1.000 Pa	100 Pa
930.86 222111	500–2.500 Pa	150 Pa
930.87 222111	1000–4.000 Pa	250 Pa
DFK 200	Duct fixing kit	

Air differential pressure switch with duct fixing kit (DFK 200), packed together into a carton.

930.80 222134	20–200 Pa	10 Pa
930.84 222134	30– 400 Pa	15 Pa
930.83 222134	50– 500 Pa	20 Pa
930.85 222134	200–1.000 Pa	100 Pa
930.86 222134	500–2.500 Pa	150 Pa
930.87 222134	1000–4.000 Pa	250 Pa

Note:
930.81 with pressure range 40-100 Pa and
930.82 with pressure range 40-200 Pa
are available until stock is sold out.

Description

The 930 differential pressure switch is suitable for low differential pressure switching applications in air-conditioning systems for providing indication of fan status or 'filter dirty'.

With this pressure switch the switching pressure can be adjusted manual by hand or with a screwdriver using a scaled adjustment knob located under the cover.

Tolerance for upper and lower switching pressure is +/-15%.

Switching pressure specifications apply to vertical installation which is also the recommended position with pressure-pipe connections pointing downwards.

If the switches are installed horizontally with AMP connection terminals uppermost, the switching values are approx. 20 Pa higher.

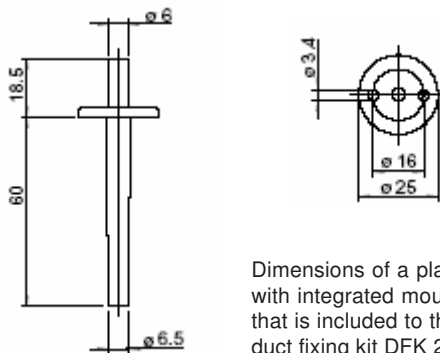
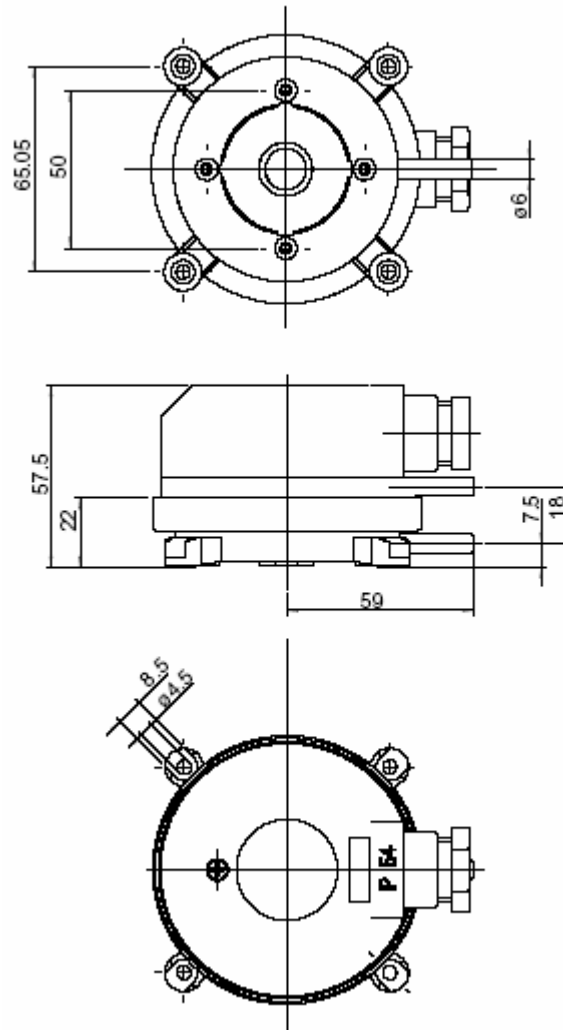
Applications

Adjustable differential pressure switch for monitoring overpressure, vacuum and differential pressure of air or other non-combustible, non-aggressive gases.

Possible fields of application include:

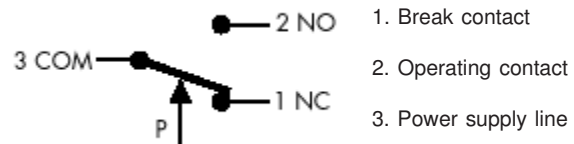
- Monitoring air filters and ventilators
- Monitoring industrial cooling-air circuits
- Overheating protection for fan heaters
- Monitoring flows in ventilation ducts
- Controlling air and fire-protection flaps
- Frost protection for heat exchangers

Dimensions (mm)



Dimensions of a plastic tube with integrated mounting plate, that is included to the duct fixing kit DFK 200

Electrical connection



Duct fixing kit DFK 200 includes
2 plastic tubes with integrated mounting plate,
2 metres PVC hose and 4 screws

We reserve the right to make changes in our products without any notice which may effect the accuracy of the information contained in this leaflet.